

SDR900H™ DATASHEET

900 MHz Wireless Pan-Tilt-Zoom Camera Control System

- Controls a PTZ camera from up to twelve miles, line-of-sight.
- Point-to-point and point-to-multipoint camera control.
- RS232/485/422 compatible.
- User-selectable data rates from 1200 bps to 57.6 kbps.
- All-weather NEMA 4× construction.
- Compatible with most major dome manufacturers.
- FCC Part 15 and DOC (Canada) approved.



The SDR900H remote camera control transmission system allows you to control the pan, tilt, and zoom of a camera from up to twelve miles away (with line-of-sight between transmitter and receiver). The SDR900H integrates easily with most major dome manufacturers and is compatible with RS232, RS422, and RS485 protocols.

The SDR900H operates in the unlicensed 900 MHz ISM band using 25 hopping channels with seven user-selectable sequences, allowing the system to operate exceptionally well even with other products operating in the same band. Eight-bit, user-selectable addressing further enhances the ability to address multiple systems in a single path or in a point-to-multipoint configuration.

The SDR900H is available with either an 8 dB Yagi or a 3 dB omnidirectional antenna.

SDR900H™ DATASHEET

RF Specifications

FREQUENCY RANGE

902-928 MHz ISM Band

THROUGHPUT

19200 bps

RF OUTPUT POWER

Approx. 300 mW EIRP with 3 dB omni antenna
1 W EIRP with AD900-8Y-RP 8 dB antenna

RECEIVER SENSITIVITY

-104 dBm at 10^{-6} BER

CHANNELS

25 hopping

CURRENT DRAW

250 mA max. TX typical
150 mA max. RX typical

INPUT VOLTAGE

6-13 vDC

Physical & Environmental Specifications

RF CONNECTOR

RP (male) SMA for antenna

POWER CONNECTORS

Barrier block with #6 screws for power,
RS485/422 and RS232

RADIO DIMENSIONS

4.7" × 8.8" × 2.5" (12 × 22.4 × 6.4cm)

WEIGHT

2 lb. 12 oz. (1.25 kg)

ENVIRONMENTAL RATING

NEMA 4

HUMIDITY

Non-condensing

OPERATING TEMPERATURE

-40°F to +158°F or -40°C to +70°C

Serial Specifications

DATA INPUT LEVEL

RS232, RS485/422

DATA RATE (USER)

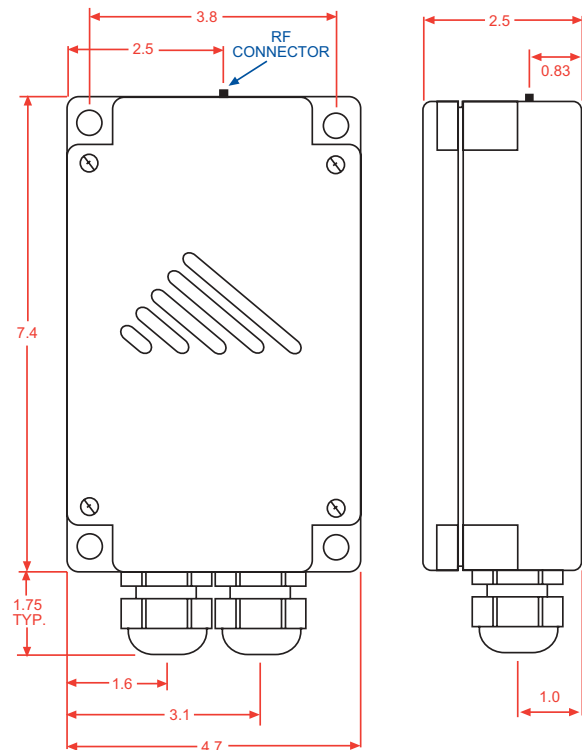
1200 - 57600 bps, software configurable

DATA FORMAT

7/8 bits, Even/Odd/No Parity

SERIAL INTERFACE

Modular 6-6 (RJ11) jack for RS232
Barrier block with #6 screws for RS485/422 and
RS232



AIRLINX Communications, Inc.
Box 253
Greenville, NH 03048
E-mail: sales@airlinx.com
Tel: (888) 224-6814
Fax: (603) 878-0530